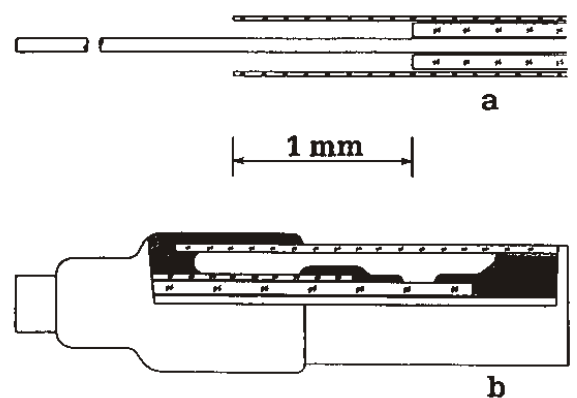
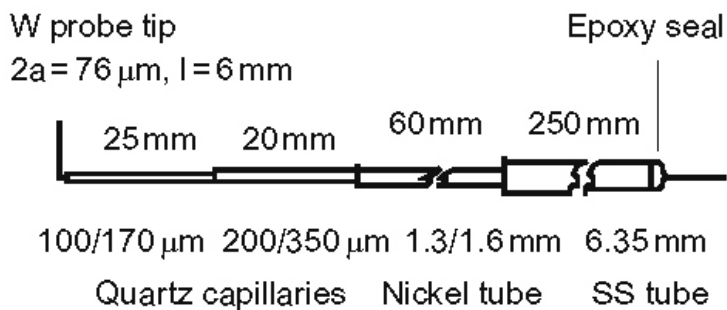
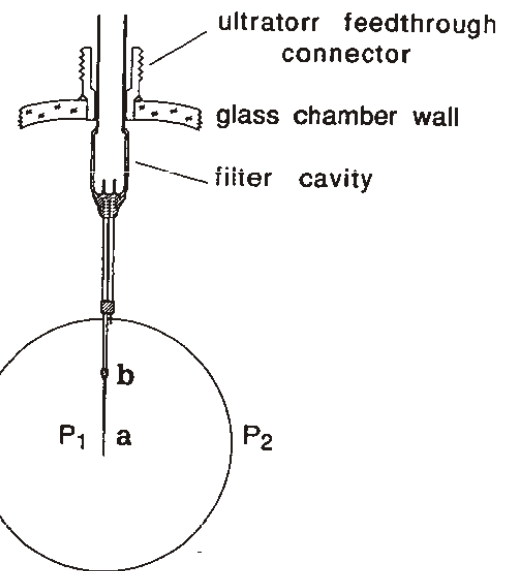
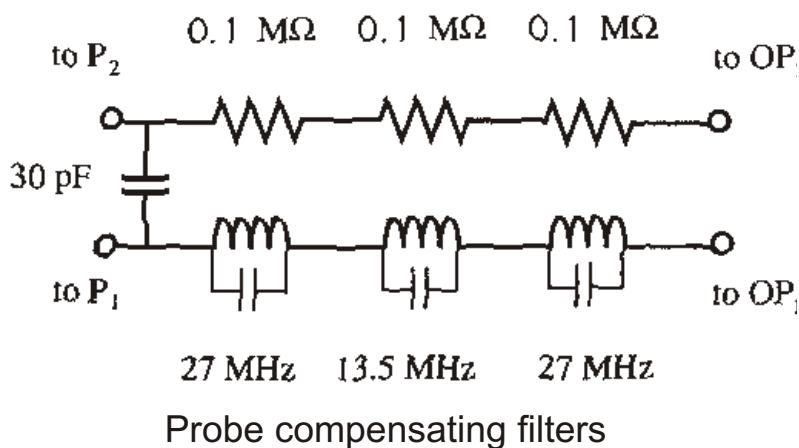


Figure 3. Simplified diagram of the probe measuring circuit.



V. A. Godyak, Plasma Source Sci. Technol
 1, 36 (1992)
 V. A. Godyak, PSST 11, 525 (2002)

Figure 5. Probe system. The positions a and b are given magnified at the bottom to show a shielding sleeve (position a) and epoxy vacuum seals (cross hatched, position b).