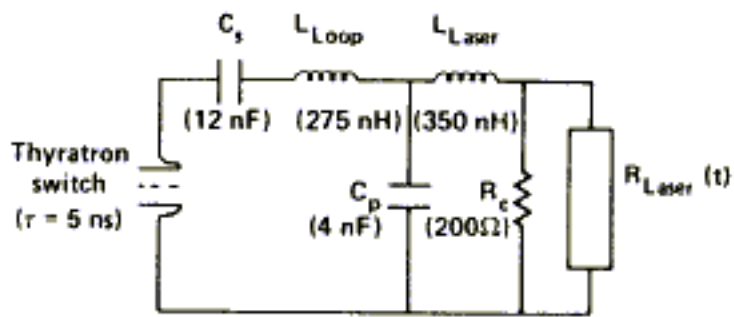
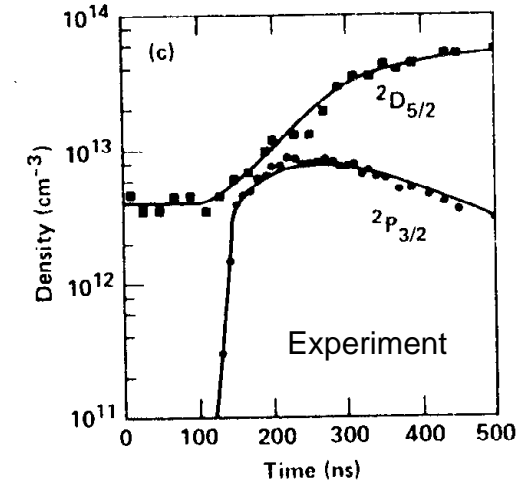
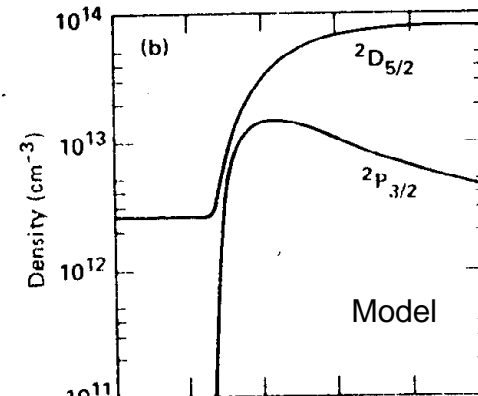
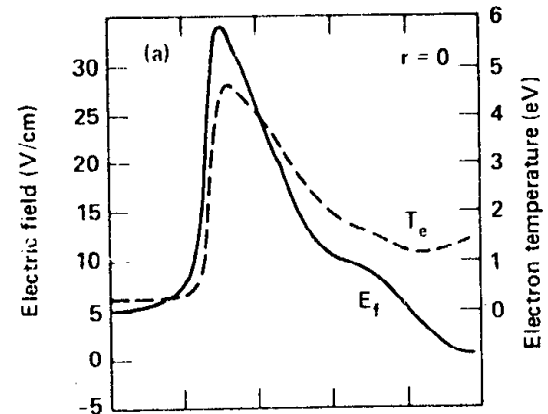


Copper and Neon Energy Levels



(Numbers are typical for 6 cm dia., 60 W CVL)

Typical Pulsed Power Circuitry



Laser Parameters During Discharge Current Pulse

